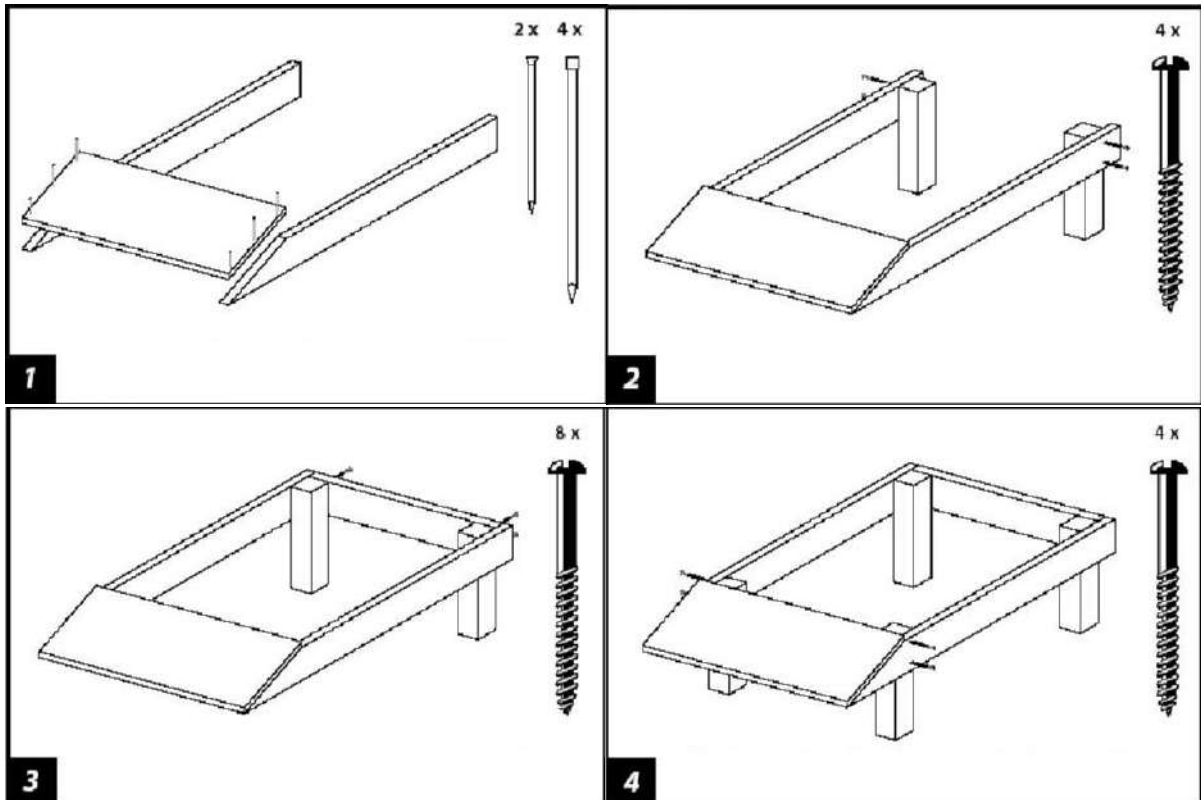




National Hive Stand Instructions



1. Place base side rails as shown and nail the front slope into place, flush to the front edge of the side rails with its front edge vertical, using 2 x 25mm pins and 4 x 40mm lost head rails.
2. Place rear legs as shown, leaving space for the cross rail and fix using 4 x 40mm black japanned screws.
3. Position cross rail between side rails and against rear legs. Fix in place with 2 x 40mm black japanned screws through cross rail into rear legs.
4. Position front legs with their front edge aligned with the inner edge of the front slope and fix in place using 4 x 40mm black japanned screws.