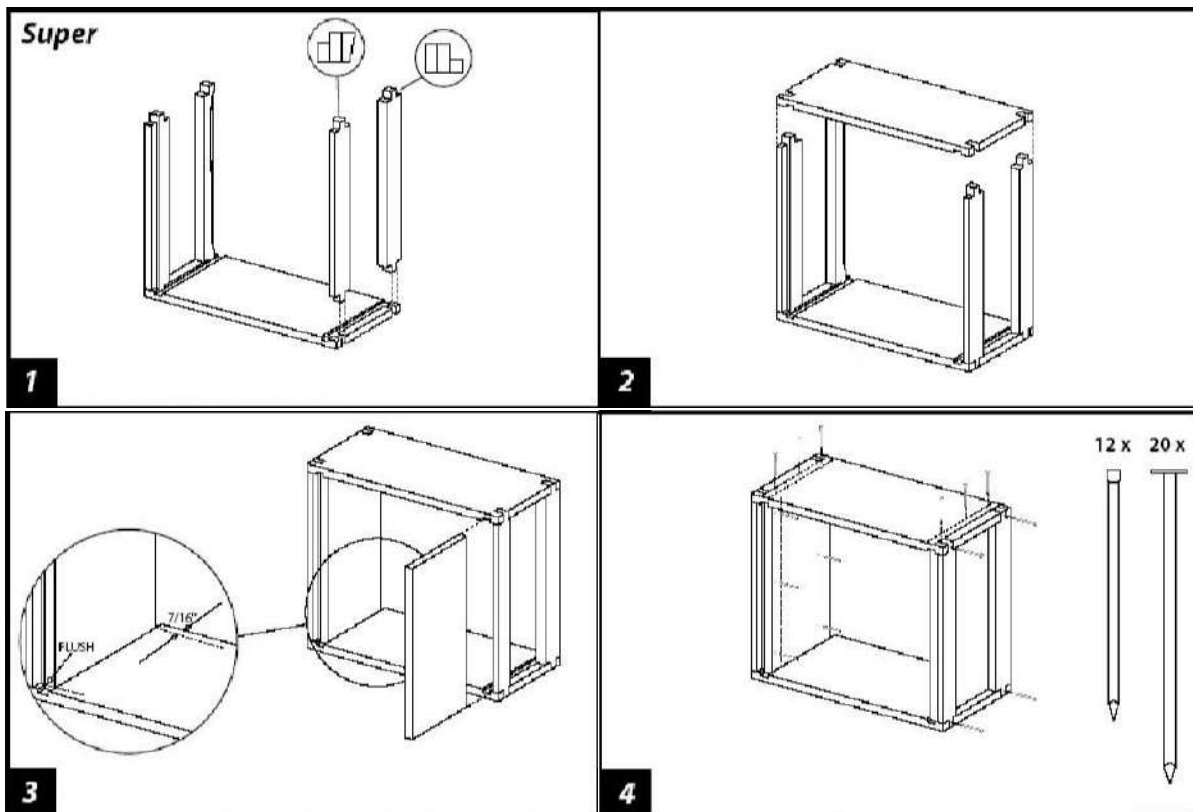




National Super Instructions



1. Lay the side panel flat. Insert top rails with cut-outs facing in and up. Insert bottom rails with chamfer sloping down and outwards.
2. Place second side panel on top.
3. Slide end boards into grooves ensuring chamfered edge is towards the top and slopes down and out. The top edge must be $7/16"$ below the top edge of the side panel.
4. Nail rails to side panels as shown using 8 x 50mm round head wire nails. Nail side panels to end boards using 12 x 50mm round head wire nails. Nail end boards to rails using 12 x 40mm lost head nails.